

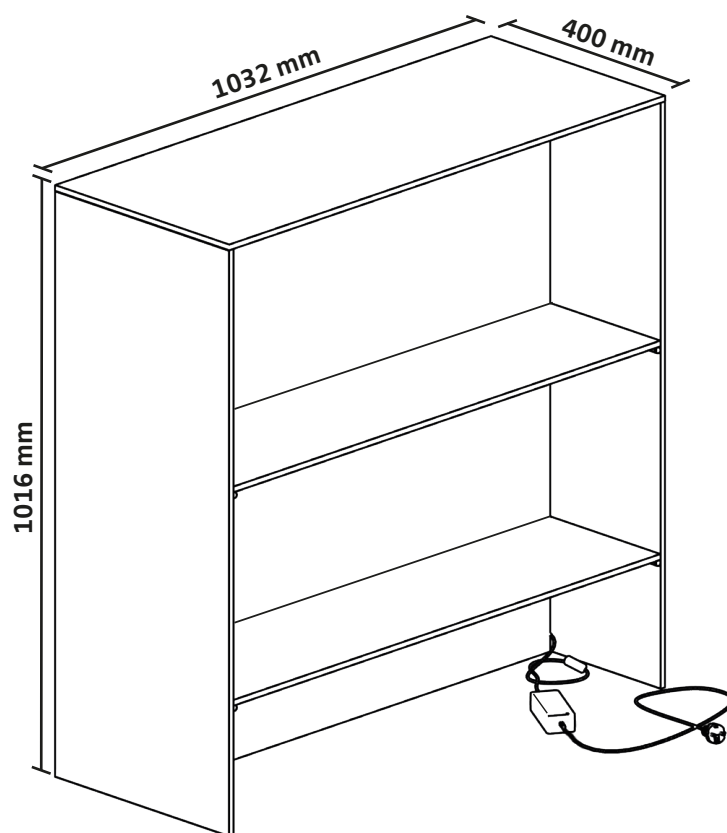
**156019**



**PIXLIP®**

# GO LIGHTBOX COUNTER L

**Aufbauanleitung**  
User manual



**PIXLIPGO®**

[www.pixlipgo.com](http://www.pixlipgo.com)



# KOMPONENTEN COMPONENTS



4×  
**Profil 900**  
Profile 900



4×  
**Eckverbinder**  
Corner connector



8×  
**Print Clip**  
Print clip



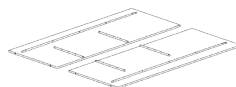
1×  
**LED Modul**  
LED Module



1×  
**Netzgerät**  
Power supply



1×  
**Kopfplatte**  
Top plate



2×  
**Seitenwand**  
Side plate



2×  
**Regalplatte**  
Shelf plate

## OPTIONAL

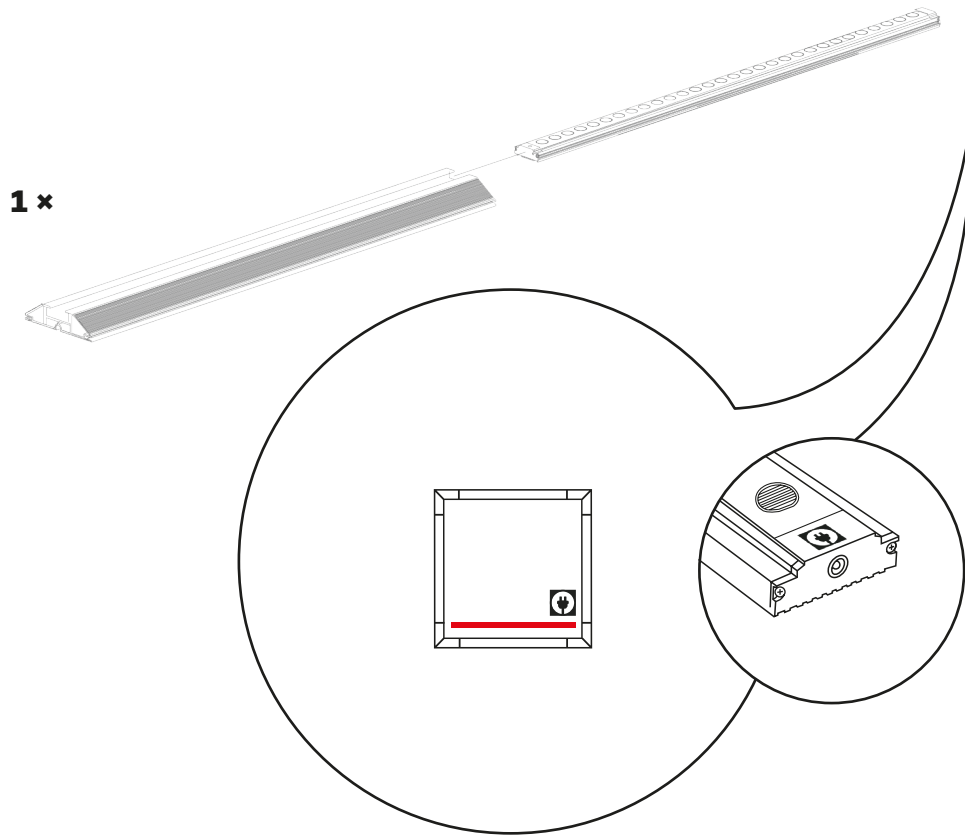


1×  
**Textil und Blockout**  
Textile and blockout

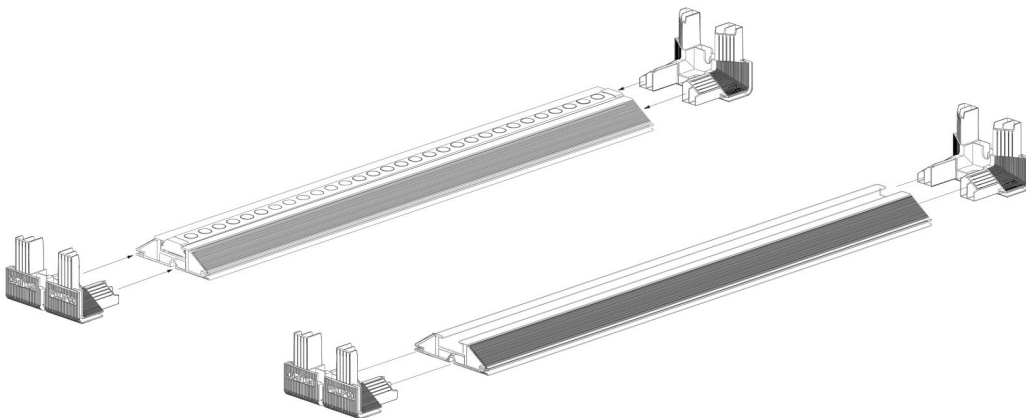


2×  
**Textil**  
Textile

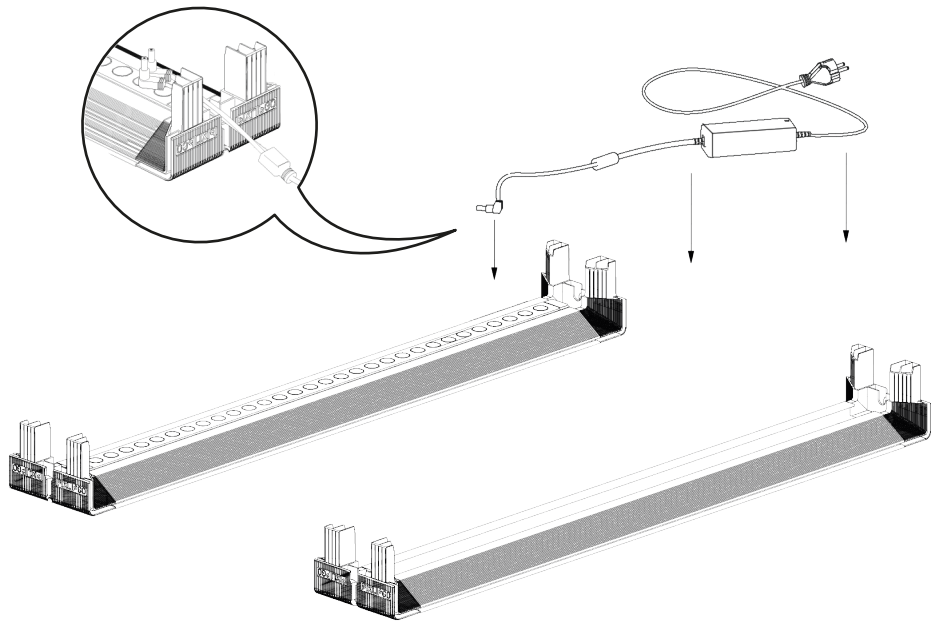
1



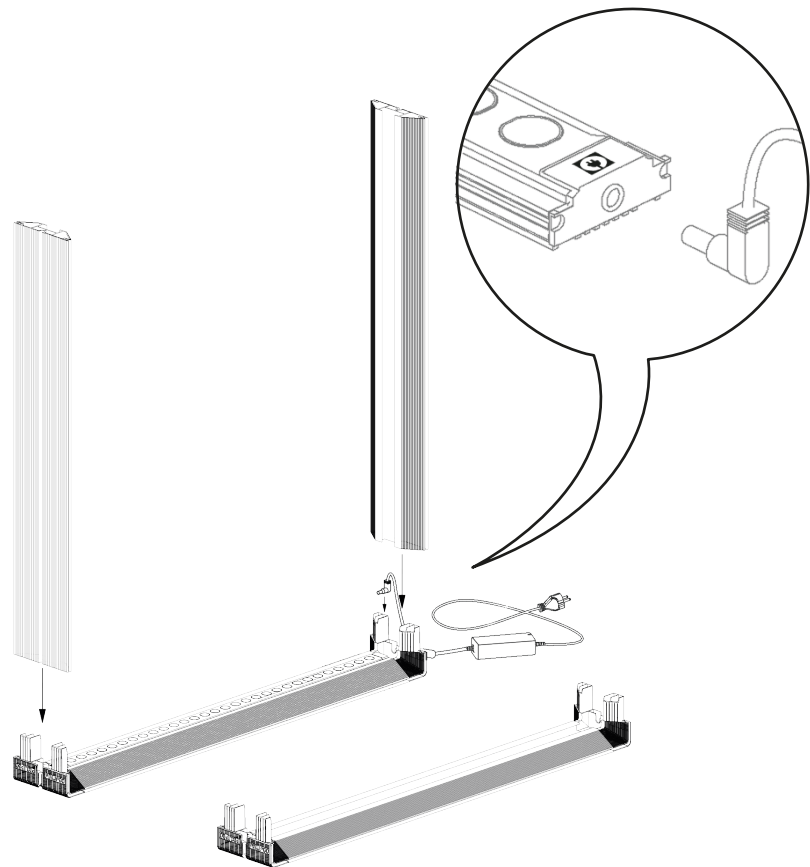
2



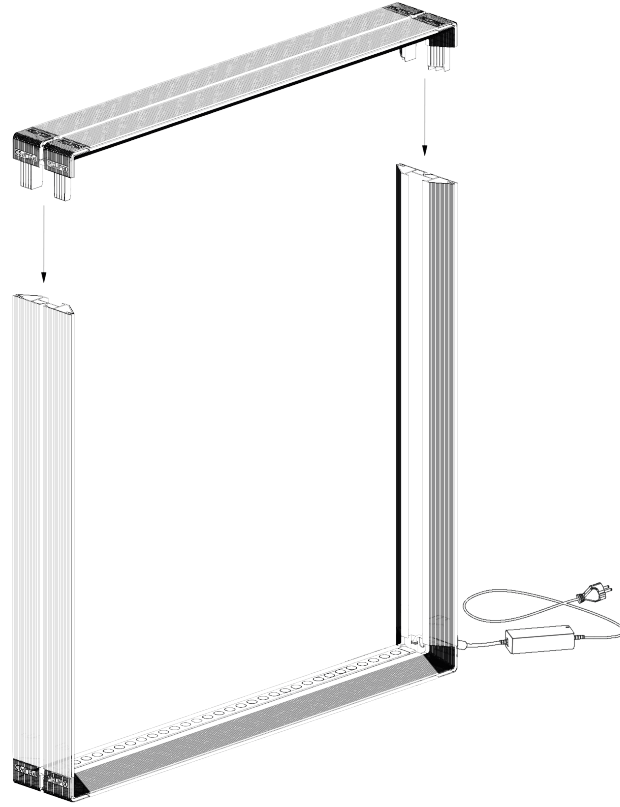
3



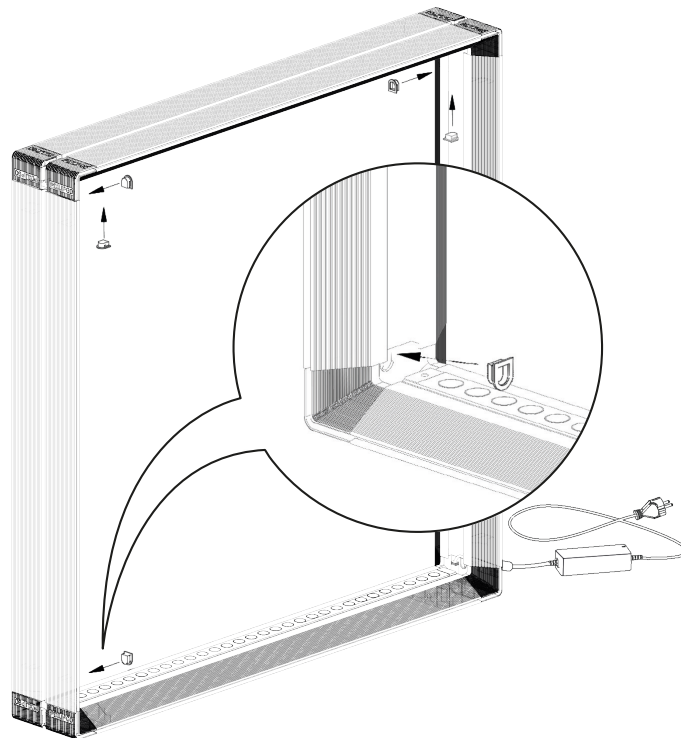
4



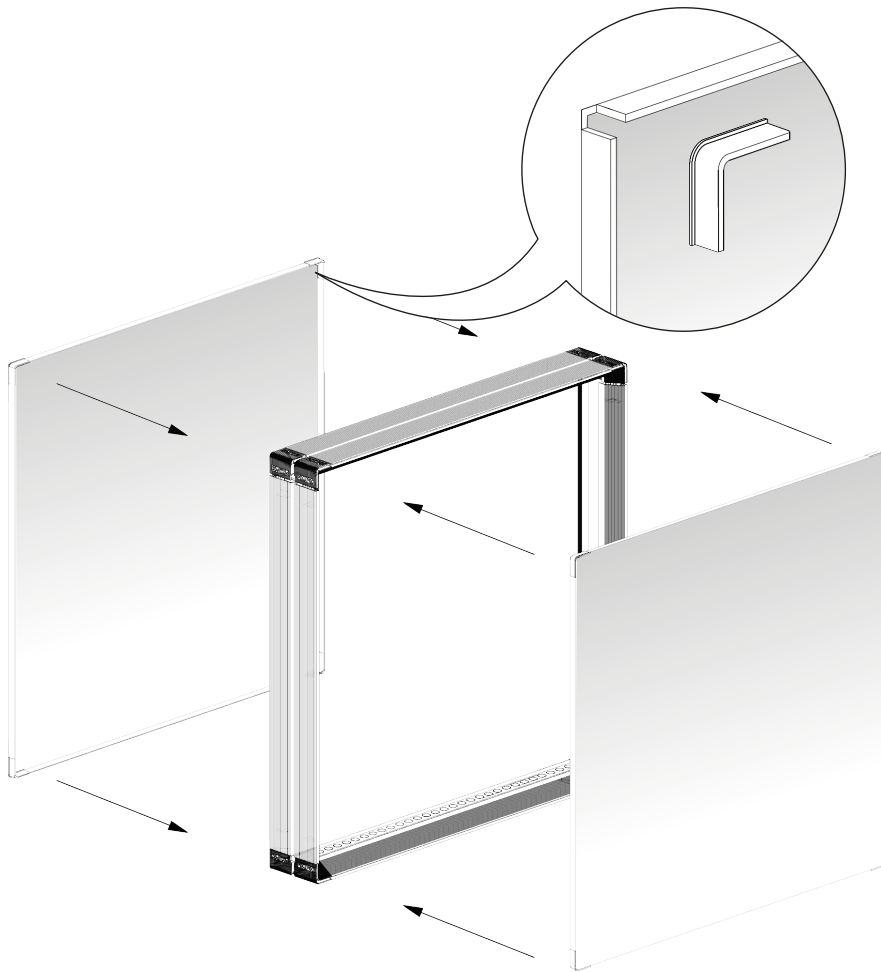
5



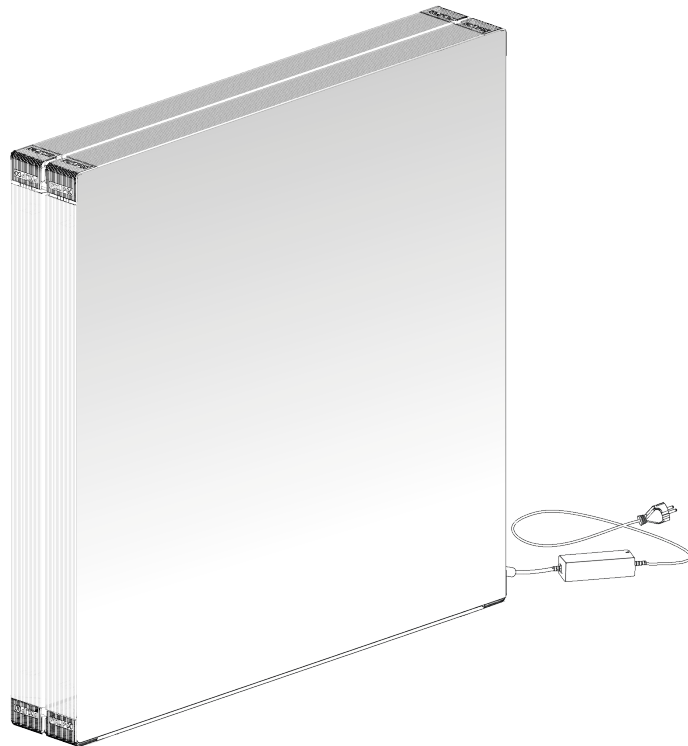
6



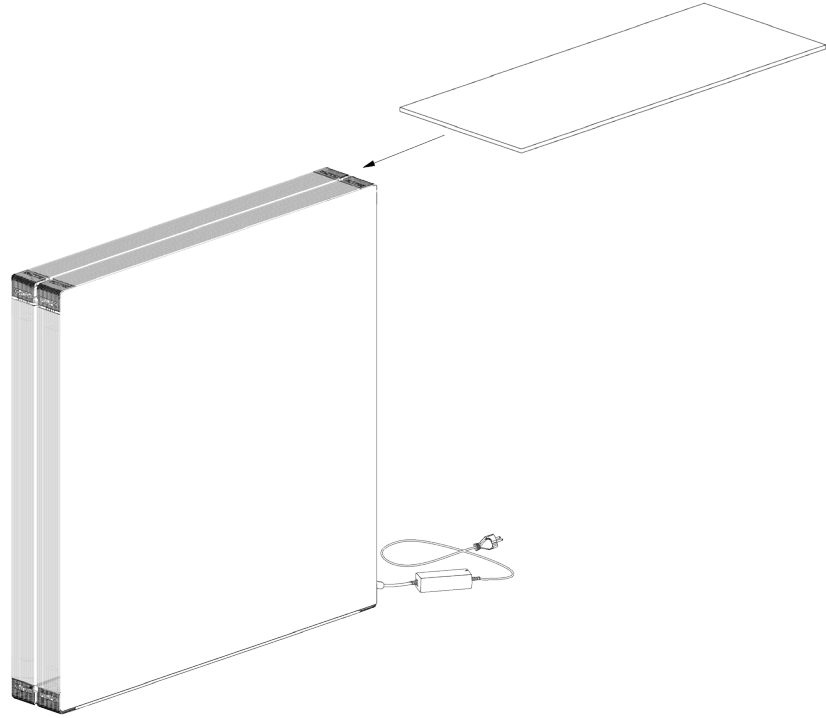
7



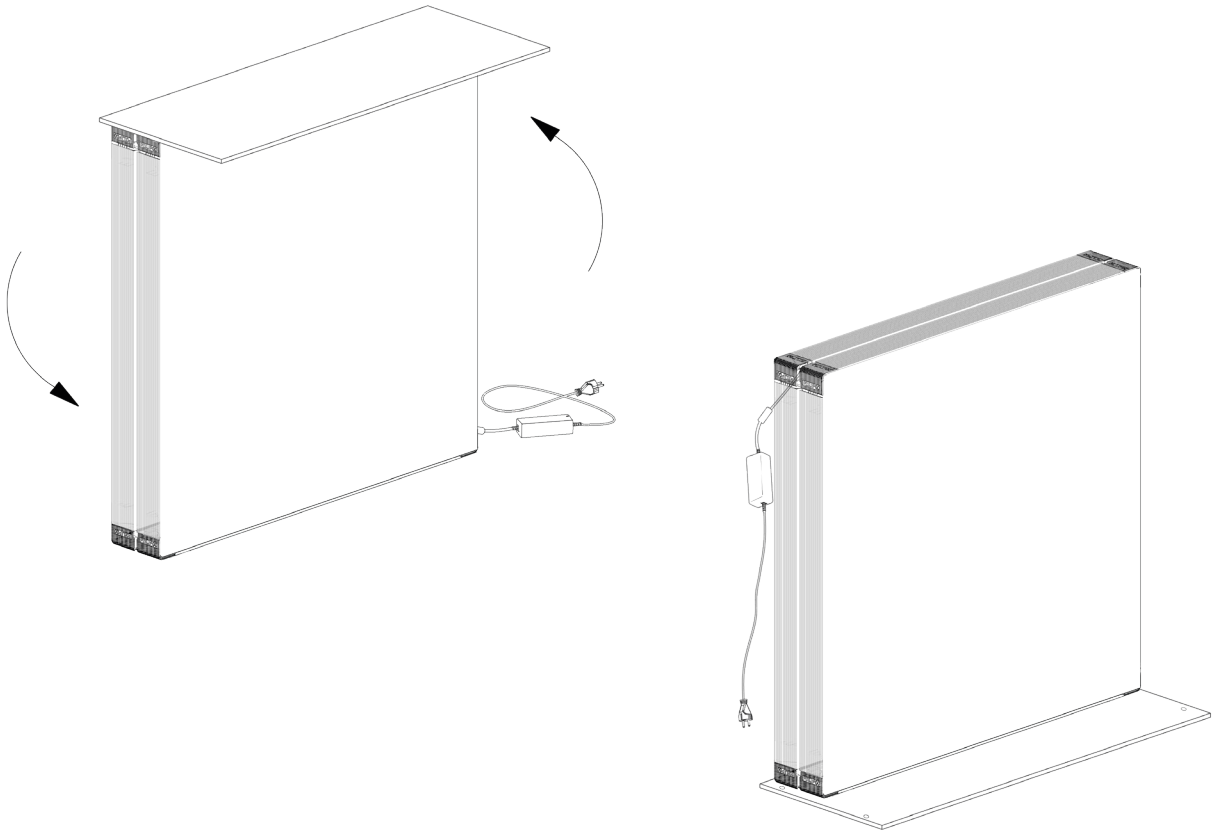
4



9

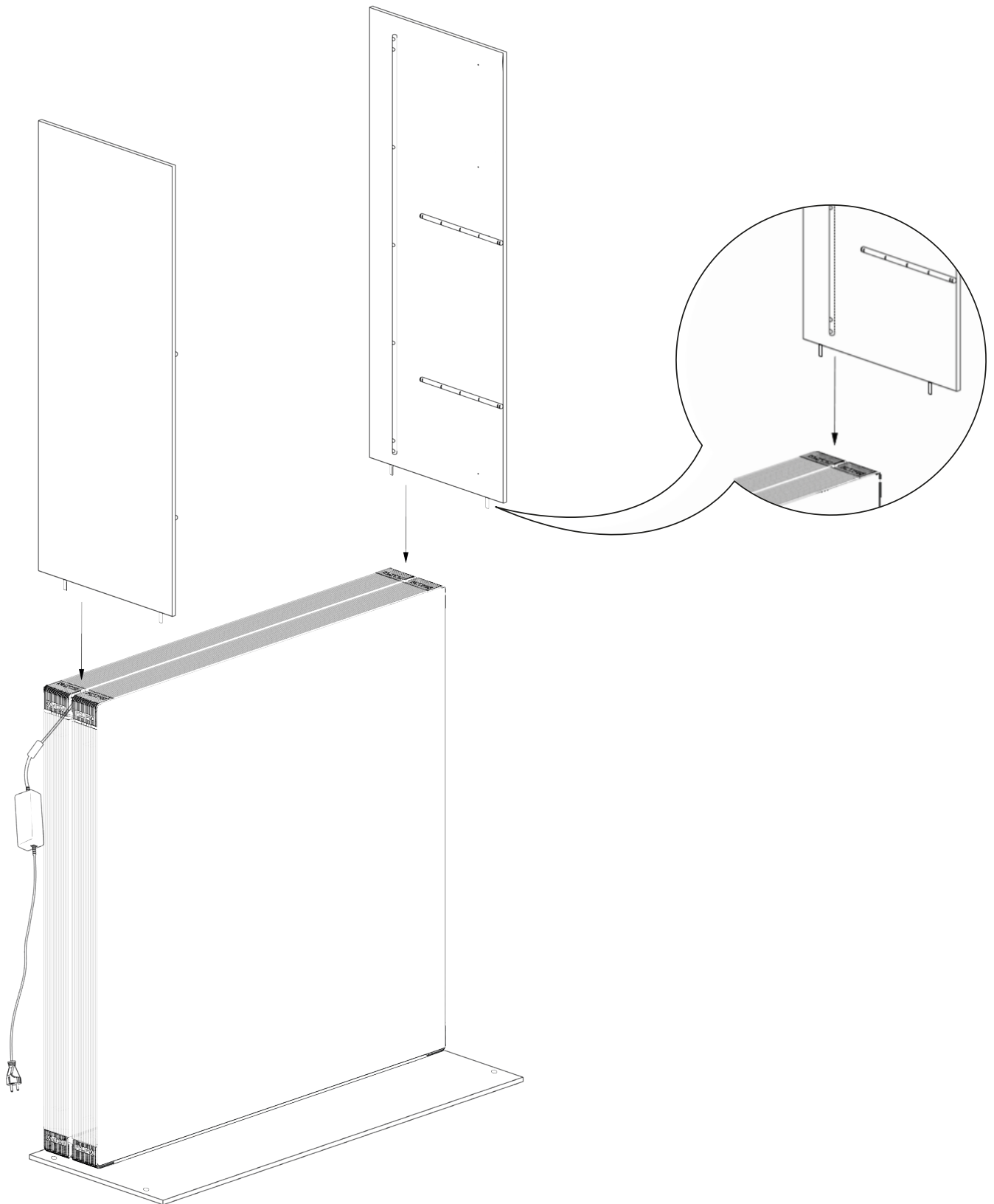


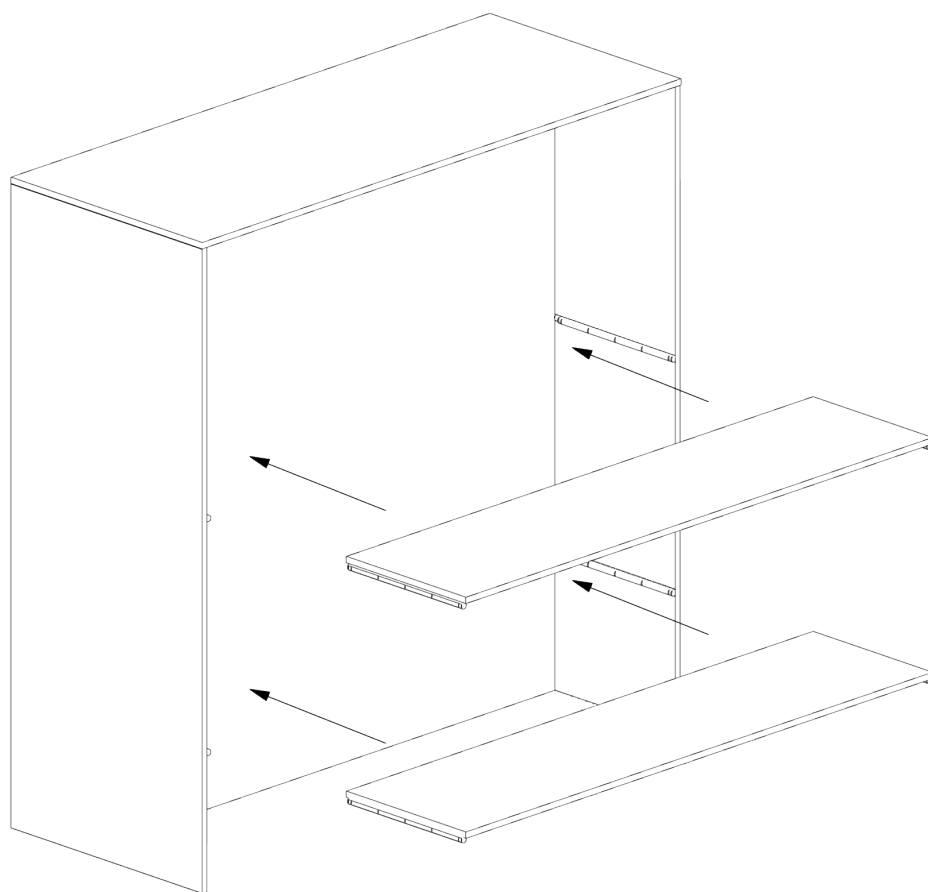
10

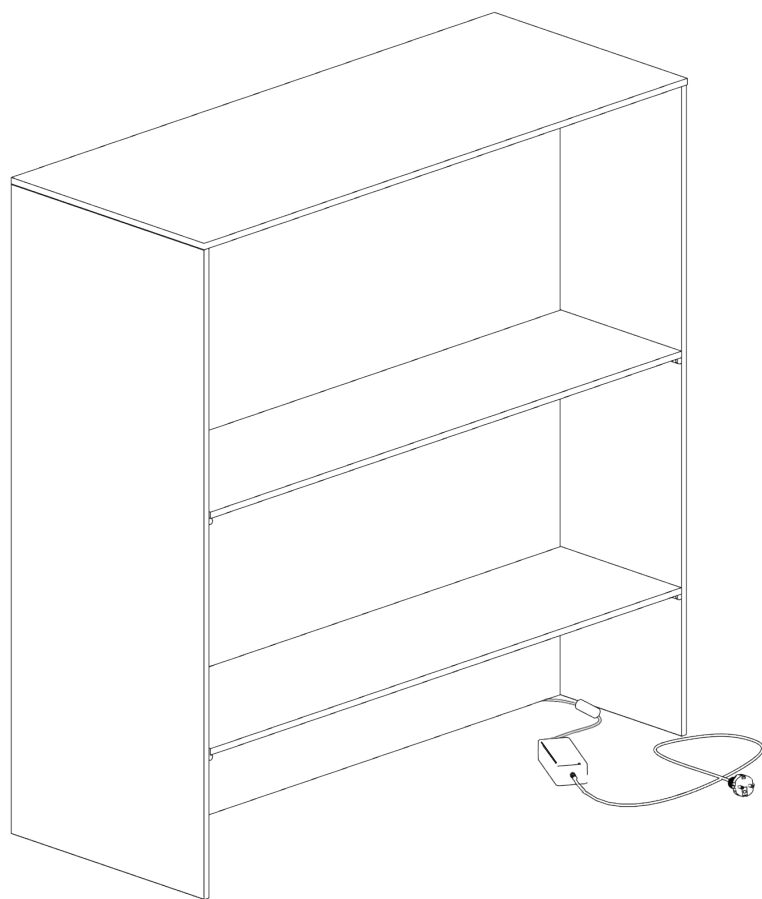




11







# PIXLIP®

**GO LIGHTBOX 100100**  
**AUFBAUANLEITUNG**  
USER MANUAL

© 2019

PIXLIP GmbH  
Raiffeisenstraße 17  
40764 Langenfeld  
Germany

[info@pixlip.com](mailto:info@pixlip.com)  
[www.pixlip.com](http://www.pixlip.com)  
[www.pixlipgo.com](http://www.pixlipgo.com)

[www.pixlipgo.com](http://www.pixlipgo.com)